

Power
Fall®



Delightfully enhance
every pool with a
soothing virtues waterfall.

- Harmonious and amusing spectacle
- Pool decoration and personalisation
- Soothing sound effects
- Overall pool enhancement

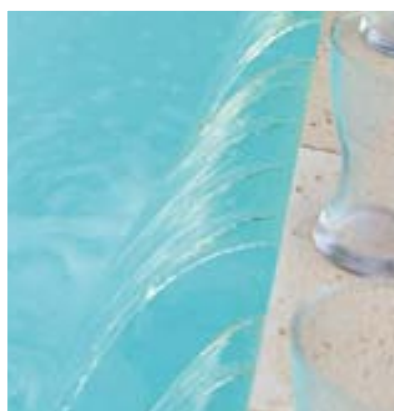
Power Fall®

➤ In its natural state water is an odourless, tasteless and colourless element, nonetheless it is a source of incomparable blessings and benefits. It has many virtues: soothing, therapeutic and purifying water is as good for our bodies as our minds.

In a warm bath, Spa, swimming pool or the sea, the water wraps around us, cradles us, takes us back to carefree days of childhood. The body is relaxed, the mind calm, so why not take more advantage of this return to favour of the therapeutic virtues of water?

A real fashion phenomenon, water features and other massage jets are particularly popular with pool owners.

Their value is twofold: hydromassage has a refreshing, relaxing and toning effect and the sound of the jets on the water is enjoyable and soothes the senses.

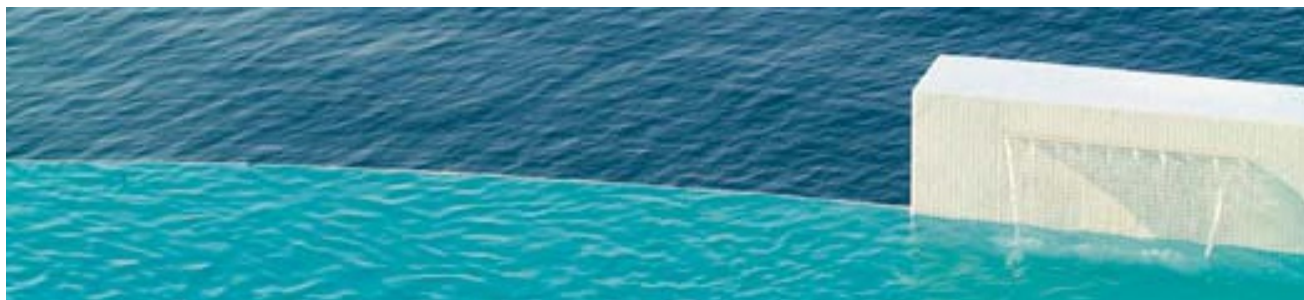


Indeed, water has proven relaxing effects. And while stimulating the senses, the water from the Polaris PowerFall creates wellbeing and peace of mind.

This fabulous fall of water also – and above all – provides a spectacle that delightfully enhances every pool. Any pool can be personalised easily and rapidly, as the PowerFall water blade is powered by the filter outlet circuit.

And to complete your pleasure, Polaris always supplies a top-of-the-range product:

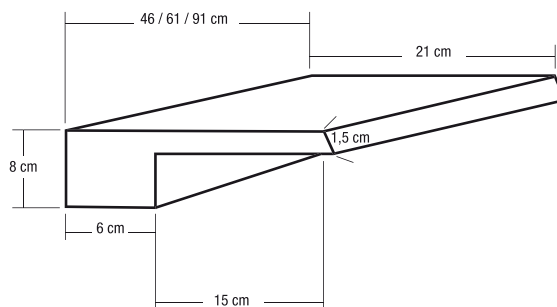
- ① "A quality product for faultless laminar flow"
- ② "PowerFall is the first waterfall in ABS."
- ③ "Strength ensured by its patented X-baffle reinforcement"



› Technical characteristics

Since PowerFall is your partner in the enhancement of your pool, why place limits on your creativity? Because PowerFall is available in 3 sizes to enable you to turn even your most original ideas into reality.

Reference	Description
FFWS 18-6	18" Powerfall (46 cm x 15 cm)
FFWS 24-6	24" Powerfall (61 cm x 15 cm)
FFWS 36-6	36" Powerfall (91 cm x 15 cm)
MA50500	USA/EU Adapter (necessary)



POWER/FLOW EQUIVALENTS	
3/4 CV	12 m ³ /h
1 CV	15 m ³ /h
1,5 CV	22 m ³ /h
2 CV	30 m ³ /h

ZODIAC POWERFALL BLADES: OPTIMUM OUTPUT PER FALL		
PowerFall 18"	4 m ³ /h	Maxi 8 m ³ /h
PowerFall 24"	5,5 m ³ /h	Maxi 10 m ³ /h
PowerFall 36"	8 m ³ /h	Maxi 16 m ³ /h

THE PIPEWORK REQUIRED MUST BE ADAPTED TO THE WATER OUTPUT	
< 13 m ³ /h	50 mm
13 < ... < 22 m ³ /h	63 mm
22 < ... < 31 m ³ /h	75 mm

Important: the waterfall should not be installed at more than 1.20 metres from the water level.